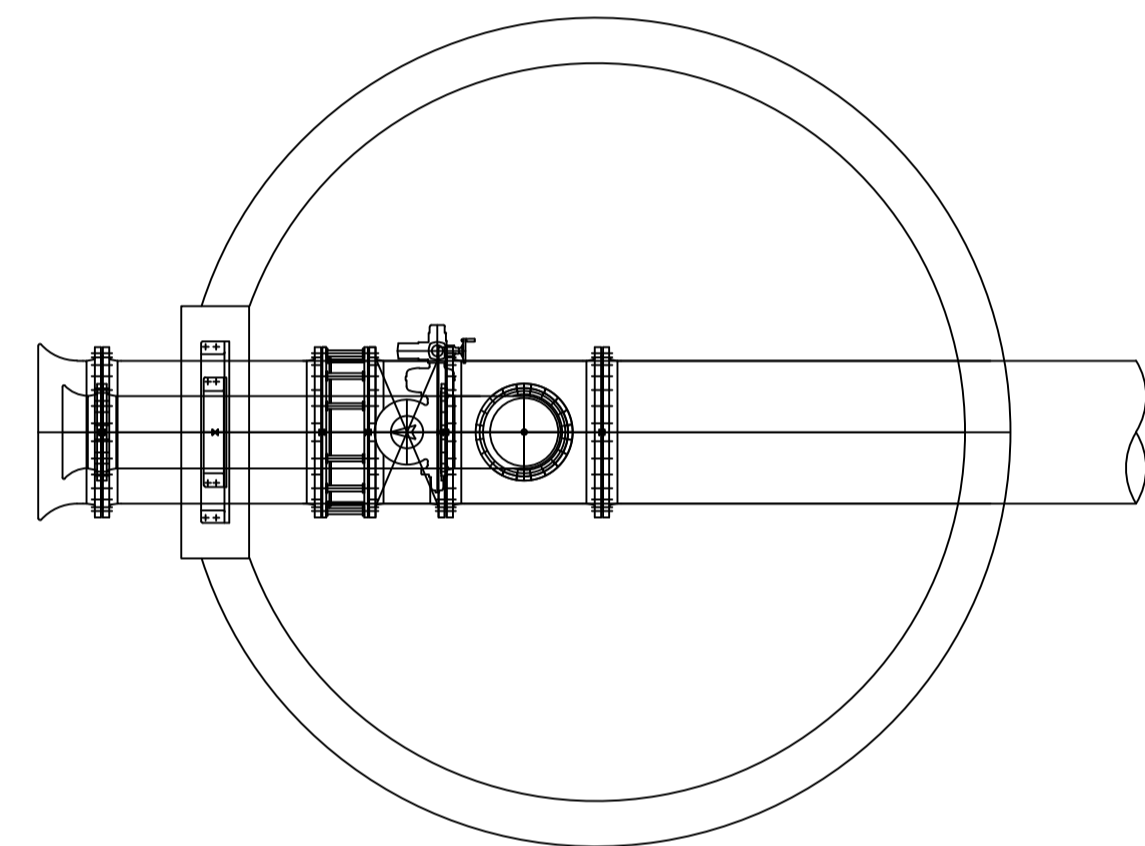
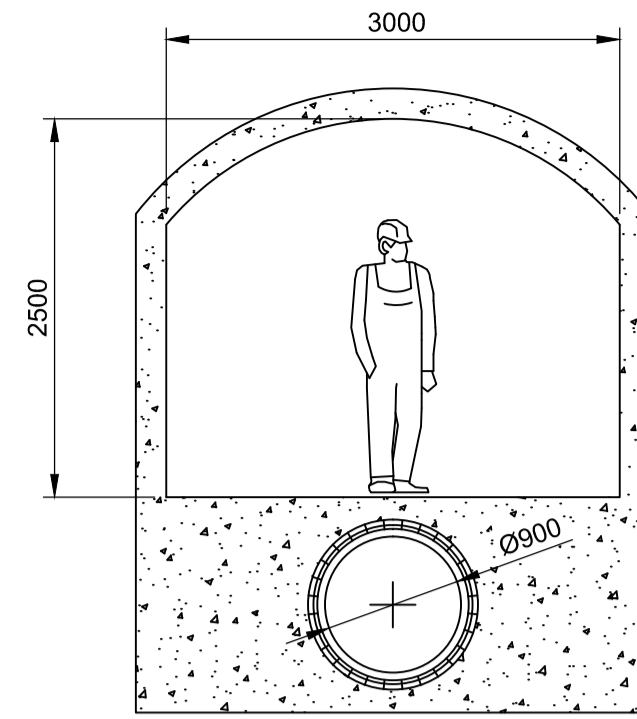


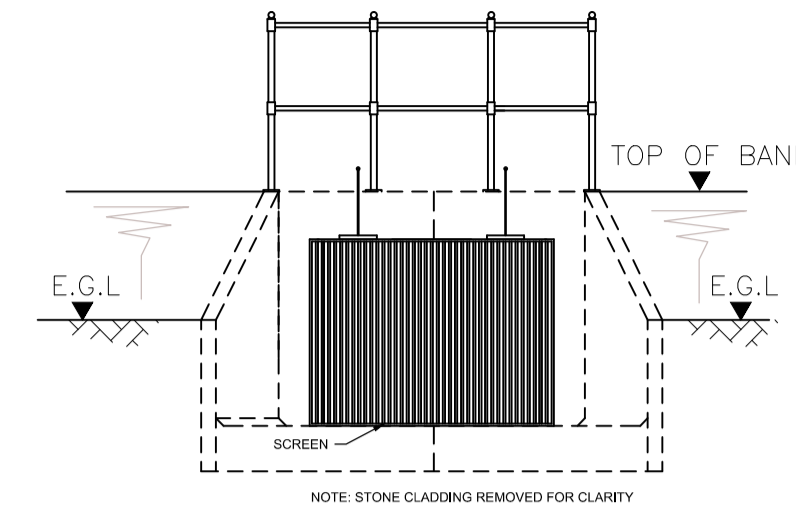
1 | SCOUR/OVERFLOW SECTION
1:50



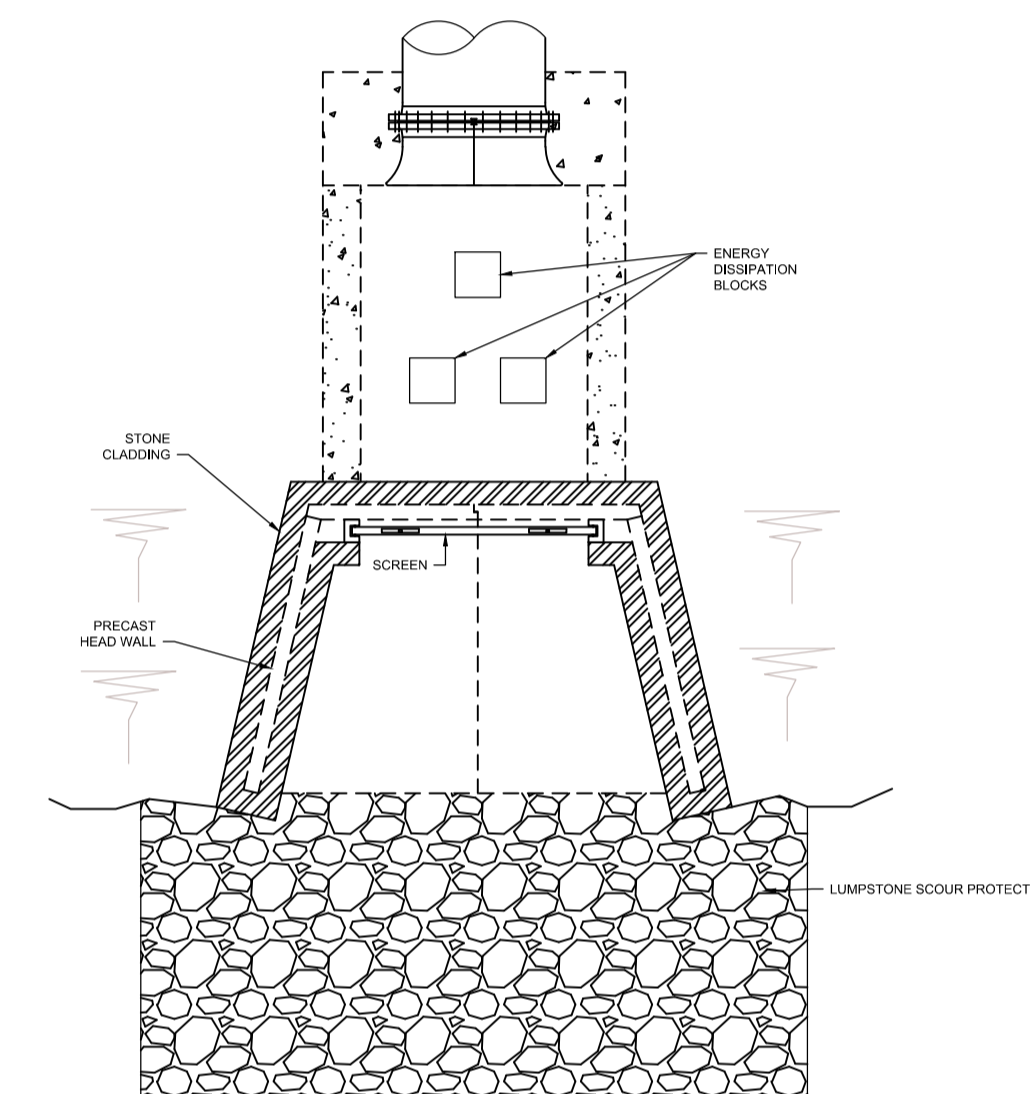
2 | SCOUR/OVERFLOW TOWER PLAN
1:50



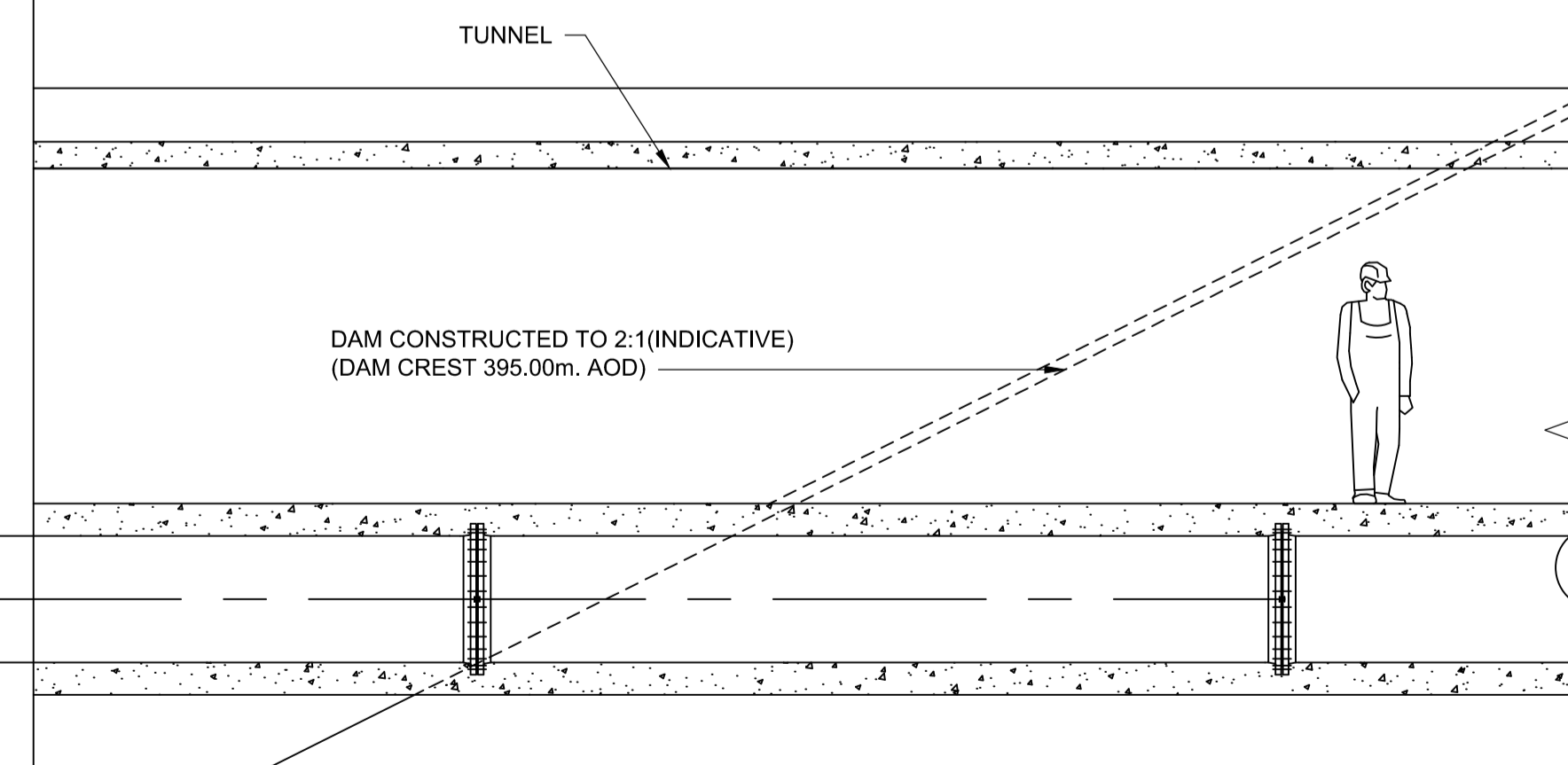
3 | SCOUR/OVERFLOW TUNNEL SECTION
1:50



4 | SCOUR/OVERFLOW OUTLET ELEVATION
1:50



5 | SCOUR/OVERFLOW OUTLET PLAN
1:50



6 | SCOUR/OVERFLOW OUTLET SECTION
1:50

NOTES

1. ALL DIMENSIONS IN METERS UNLESS OTHERWISE NOTED. DO NOT SCALE.
2. ALL LEVELS IN METERS AND REDUCED TO ORDNANCE DATUM UNLESS OTHERWISE NOTED.
3. CONTOURS AT 5 METER INTERVALS.
4. ALL BUILDINGS DETAILS ARE INDICATIVE AND SUBJECT TO ARCHITECTURAL DETAILED DESIGN AND APPROVAL VIA DCO REQUIREMENTS
5. GIS SUBSTATION BUILDING DESIGN IS SUBJECT TO APPROVAL BY SP MANWEB

