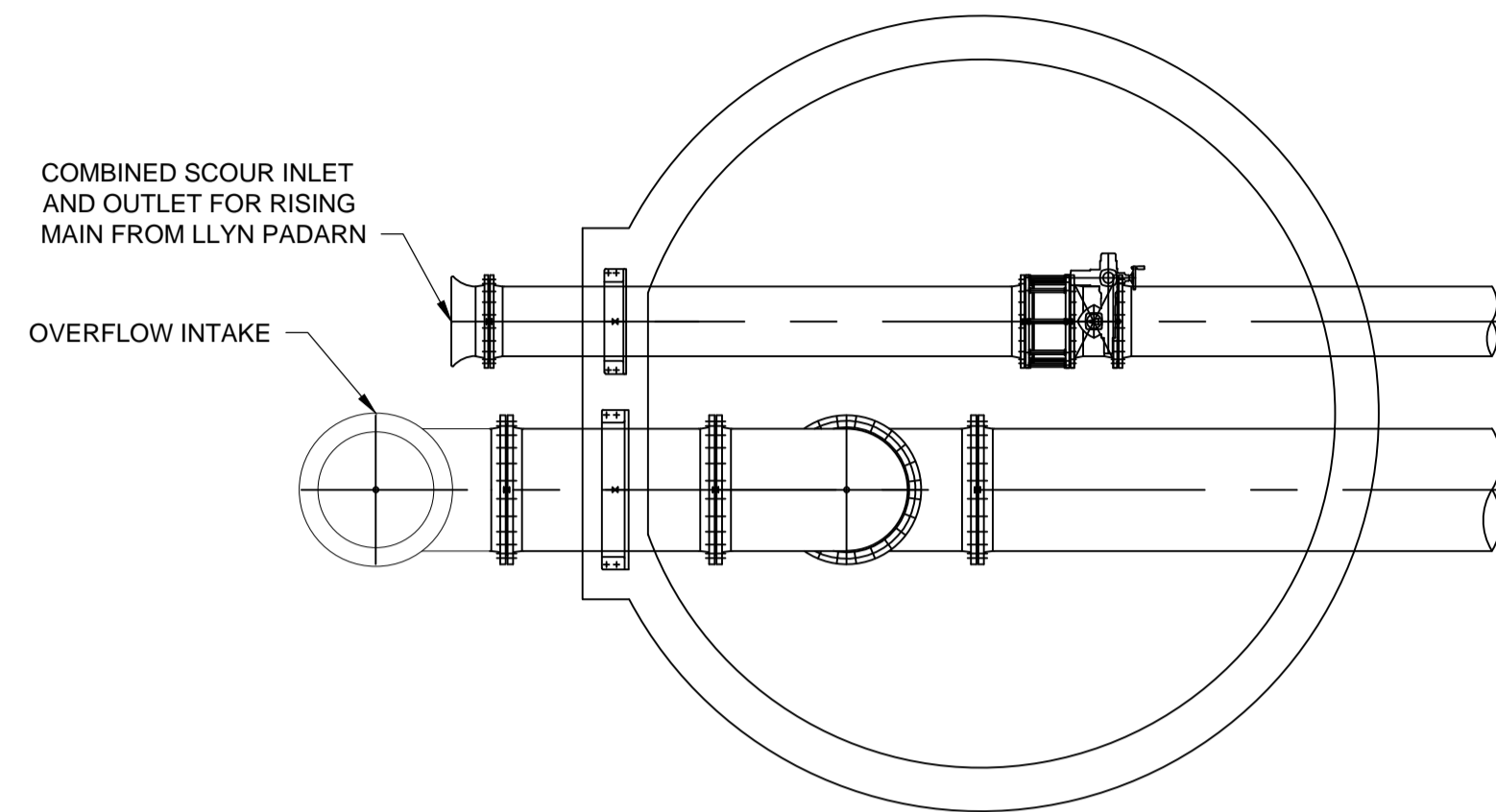


Glyn Rhonwy Pumped Storage Development Consent Order

Indicative Elevations & Section of Q6 Scour Tower

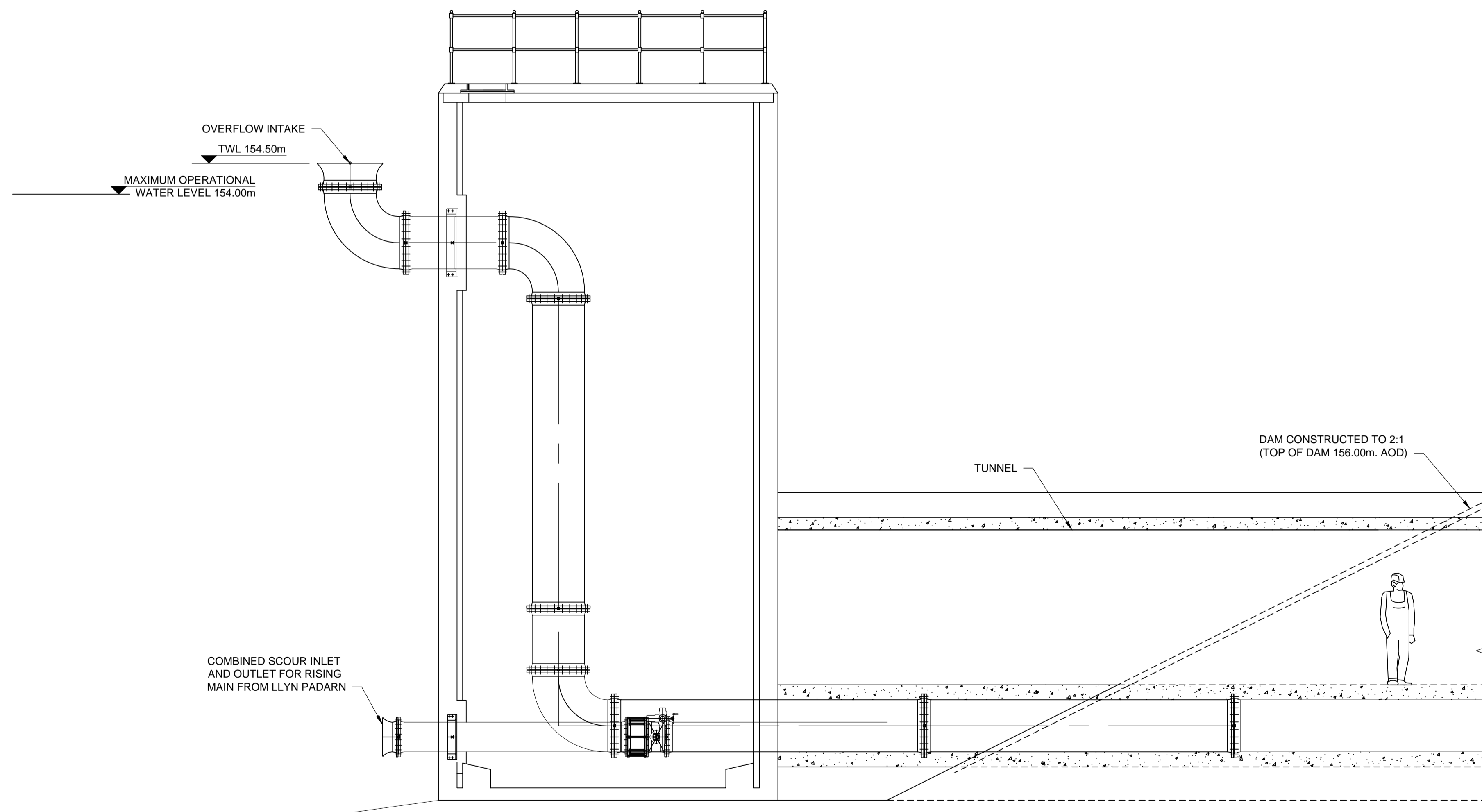


PINS Reference	EN010072	
Document No.	2.06.10	
Regulation	5(2)(o)	
Author	AECOM	
Revision	Date	Description
0	October 2015	Submission Version



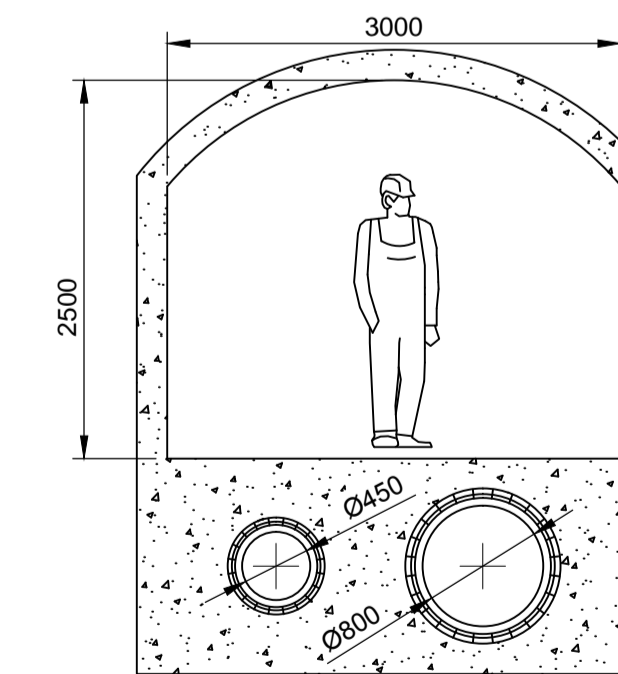
9 SCOUR/OVERFLOW TOWER PLAN

1:50



10 SCOUR/OVERFLOW SECTION

1:50



11 SCOUR/OVERFLOW TUNNEL SECTION

1:50

LEGEND

TWL TOP WATER LEVEL



NOTES

1. ALL DIMENSIONS IN METERS UNLESS OTHERWISE NOTED. DO NOT SCALE.
2. ALL LEVELS IN METRES AND REDUCED TO ORDNANCE DATUM UNLESS OTHERWISE NOTED.